

### PRODUCT DETAILS

The Bianco NXT ECJet75 is a high quality, self-priming, composite jet pump fitted with an internal venturi which enables water to be drawn from below the pump centreline.

Supplied prewired with the award-winning Bianco NXT PRO controller, the user can choose between pump operating modes making MULTI-SP the perfect solution for for domestic household supply, water transfer or light irrigation / horticultural use in rural and semi-rural applications.

### APPLICATIONS

- Household water supply – small dwellings
- Light garden irrigation
- Water transfer
- Washing systems
- Pressure boosting

### FEATURES

- Pre-wired, dual mode, auto-restart pump controller
- Digital display
- Dry-run, frequent start, maximum run time protection
- Automatic pump starting, stopping and restart after power loss and/or water loss
- Corrosion-resistant pump body, diffuser and impeller to ensure pump durability
- High quality bearings and mechanical shaft seal
- 240V single-phase TEFC motor with inbuilt auto-reset thermal overload to prevent the pump from overheating

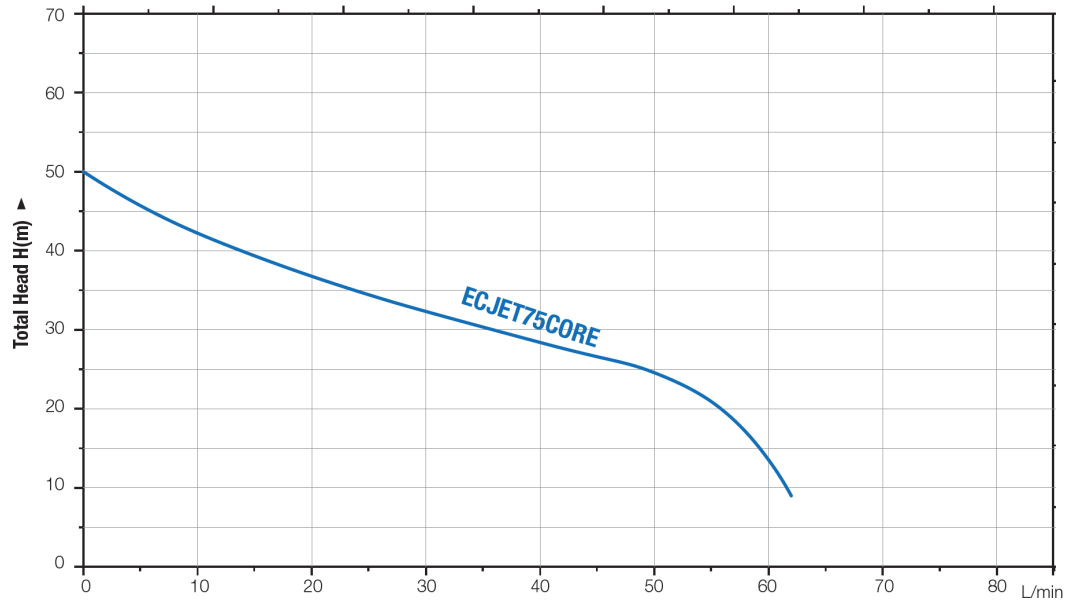


### TECHNICAL DATA

<b>OUTPUT POWER (P2)</b>	0.75 kW
<b>MAX. HEAD [M]</b>	50 m
<b>MAX. FLOW [LPM]</b>	60 L/min
<b>MAXIMUM PRESSURE</b>	Pump 8 bar, Controller 10 bar
<b>LIQUID TEMPERATURE</b>	2 – 40°C
<b>MOTOR</b>	Asynchronous TEFC
<b>MOTOR INSULATION</b>	F Class
<b>MOTOR PROTECTION</b>	Inbuilt thermal overload
<b>PROTECTION CLASS</b>	IPX5
<b>PRESSURE TANK</b>	0.3L controller volume 3, 8 or 18L recommended

<b>RATED VOLTAGE</b>	220–240V 1ph 50Hz
<b>RATED CURRENT</b>	5.2 A
<b>CAPACITOR</b>	20µF 450Vc
<b>POWER CABLE</b>	1.5m long 10 A-rated H05 flex 10A 3-pin plug
<b>AUTOMATIC OPERATION</b>	Yes – NXT CORE
<b>PUMP BODY</b>	Composite
<b>INTERNALS</b>	Composite impeller / diffusers
<b>MECHANICAL SEAL</b>	Silicon Carbide/Carbon
<b>PACKAGE DIMENSIONS</b>	L485 x W250 x H462mm
<b>GROSS WEIGHT (KG)</b>	12.4 kg

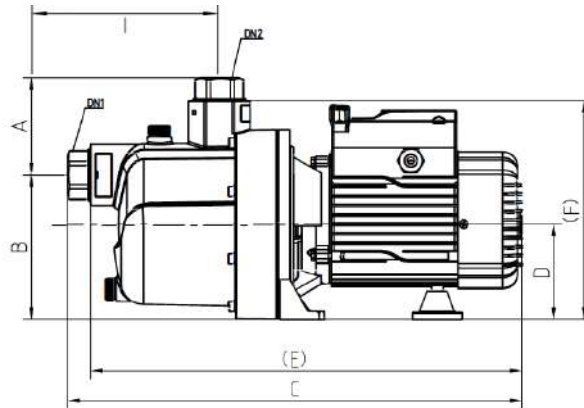
## CURVE



## DIMENSIONS

Height incl Controller

Approx 420mm



A	B	C	D	(E)	(F)	G	I	Dn1	Dn2
98	146	429	96	435	221	191	153	G1"	G1"

## WARRANTY / CERTIFICATIONS

